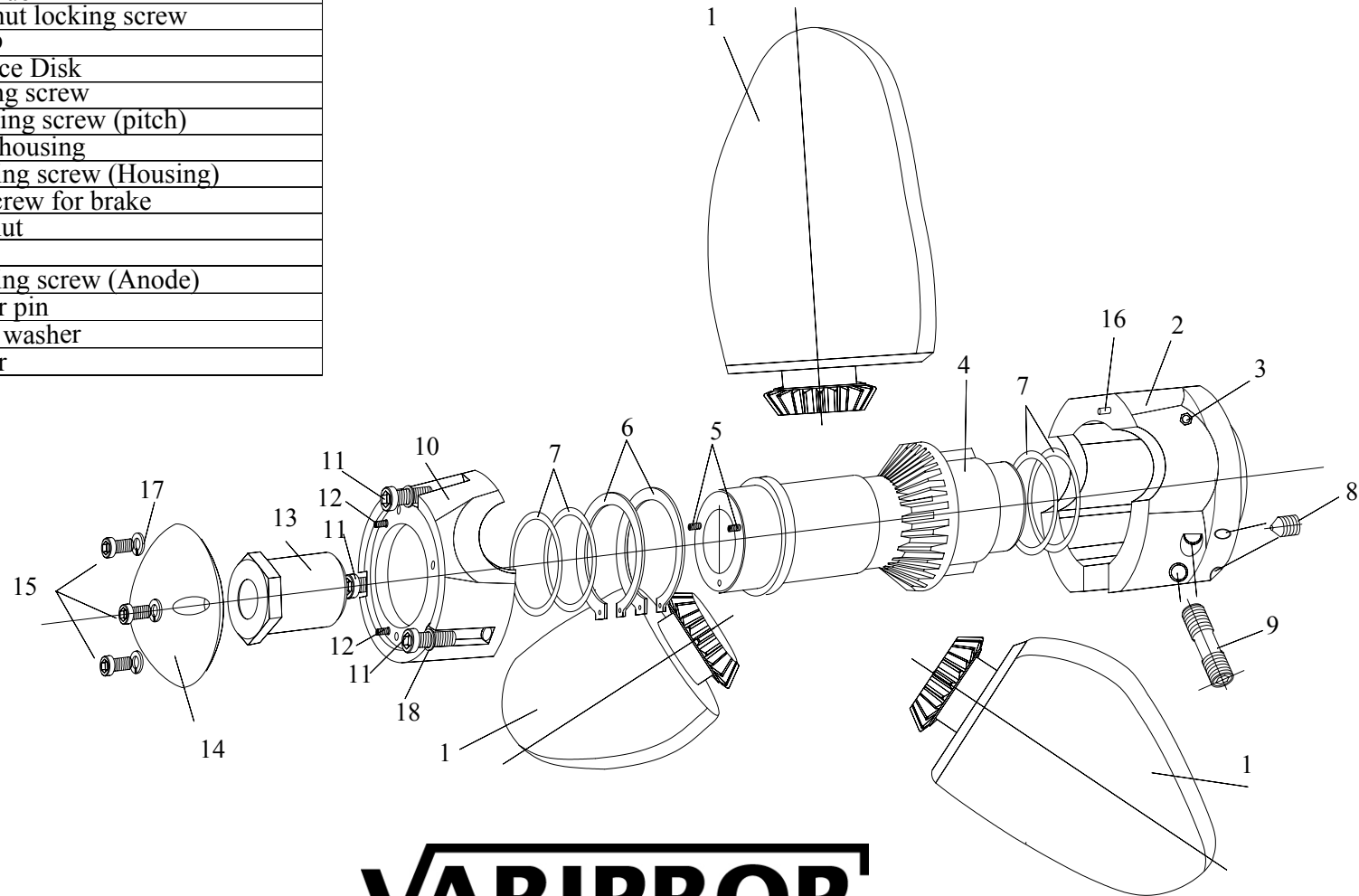


Part-No.	Qty.	Part Name
1	3 off	Blade
2	1 off	Lower housing
3	1 off	Dummy screw for Lubrication nipple
4	1 off	Inner hub
5	1 off	Shaft nut locking screw
6	vary	Circlip
7	vary	Distance Disk
8	2 off	Locking screw
9	2 off	Adjusting screw (pitch)
10	1 off	Upper housing
11	3 off	Fastening screw (Housing)
12	2 off	Stop screw for brake
13	1 off	Shaft nut
14	1 off	Anode
15	3 off	Fastening screw (Anode)
16	1 off	Locater pin
17	3 off	Spring washer
18	3 off	Washer

**SPW** GmbH



**VARIPROP**

Ref.: 02.03 September 2003